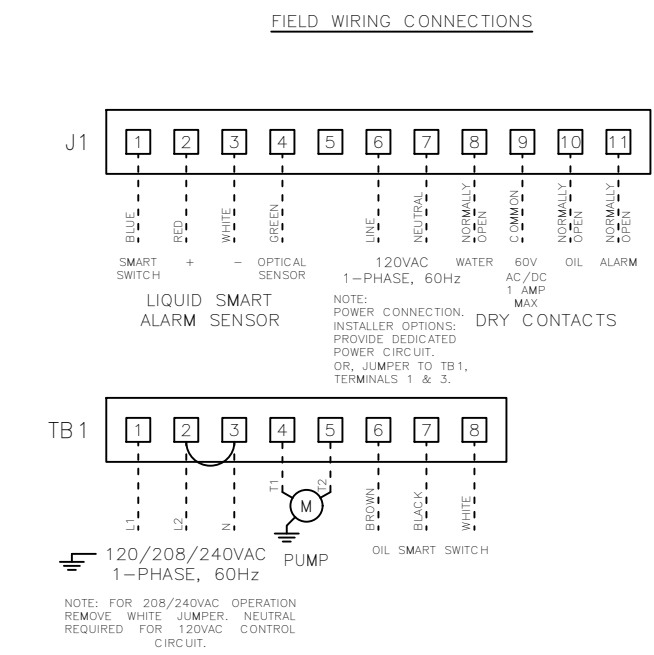
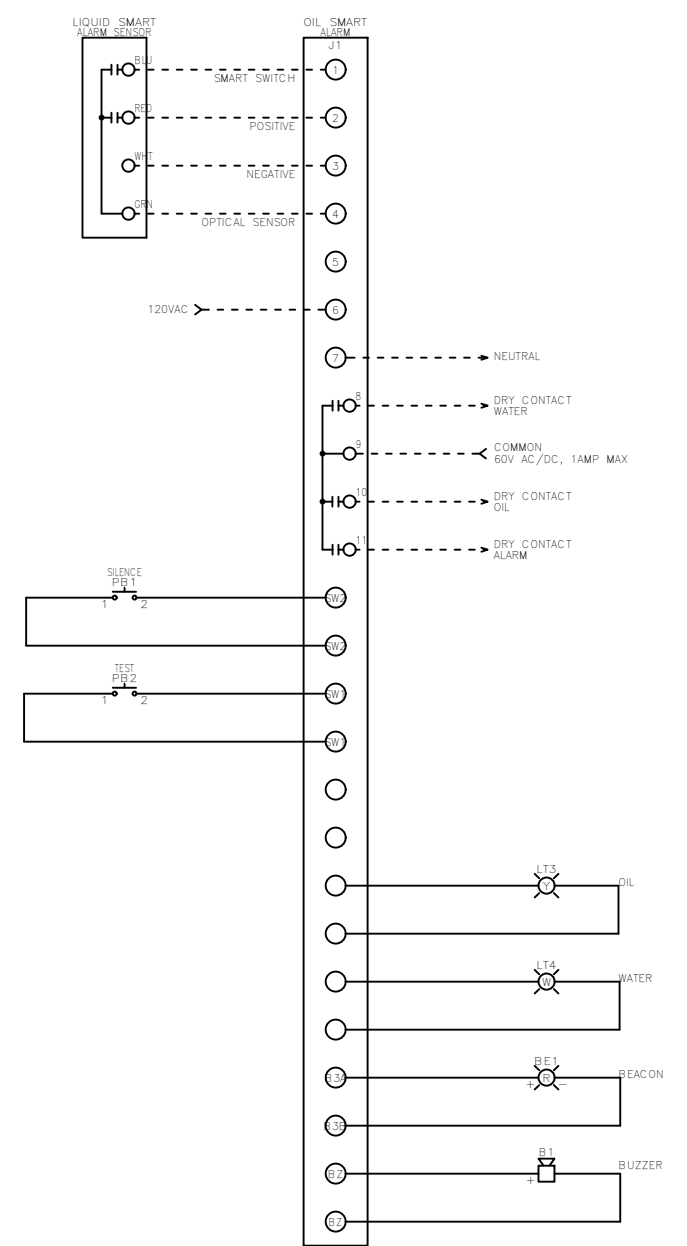
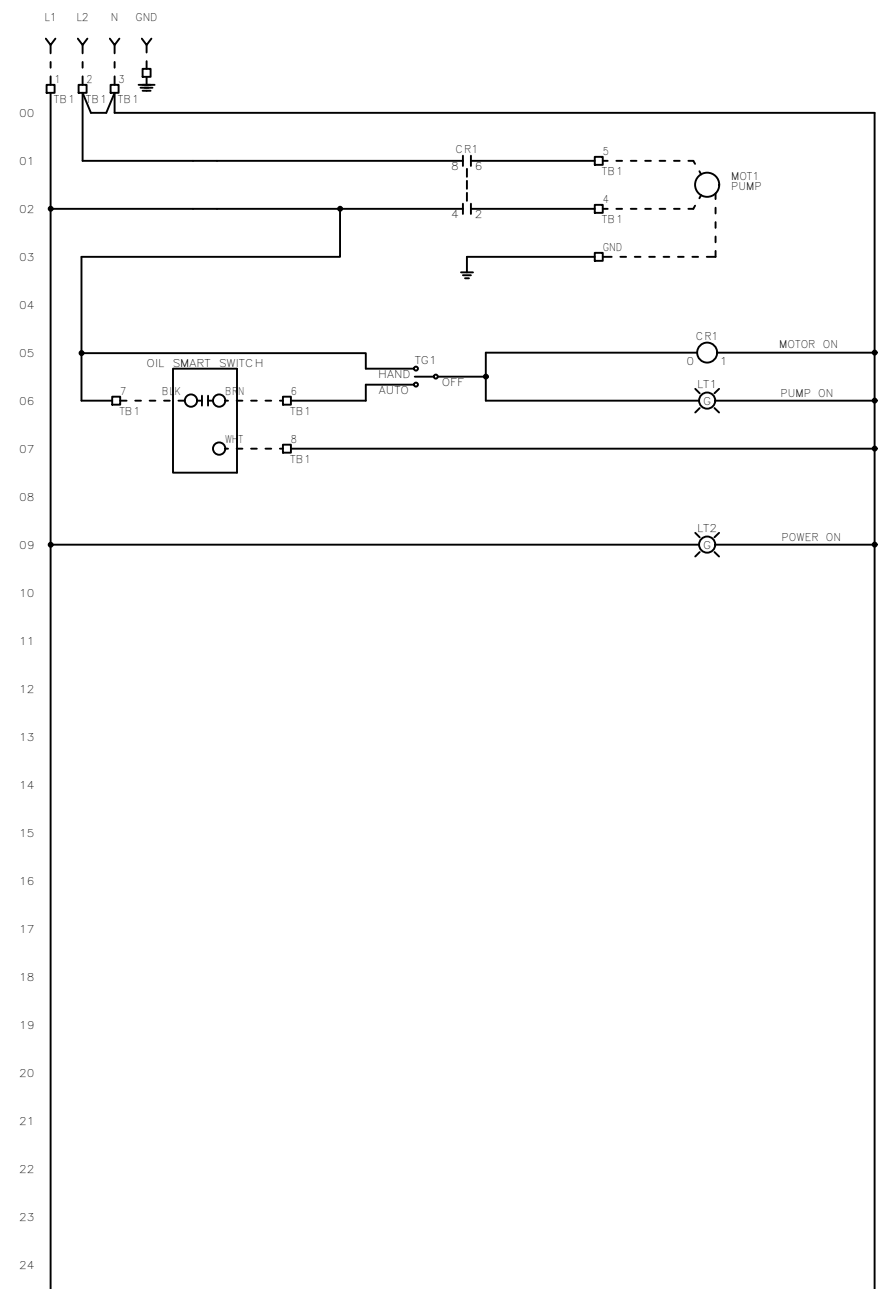


FNAME: OSSIM-30

REVDATE: 0121

REVISIONS				
ZONE	REV	DESCRIPTION	DATE	APPROVED
	A	RELOCATION OF CONTROL WIRING AFTER CIRCUIT BREAKER	9/18/16	
	B	FIELD WIRING CHANGE FOR ALARM BOARD POWER CIRCUIT	8/1/17	
	C	ADJUSTMENT OF CR1 TERMINALS	8/22/17	
	D	RELOCATION OF POWER ON LIGHT WIRING	8/31/17	
	E	REMOVED CB1	9/22/17	
	F	UPDATED TITLE BLOCK	4/16/20	AO
	G	UPDATED POWER INPUT RATING OF OIL SMART ALARM	12/1/20	AO
	H	ADDITION OF TB1 TO TORQUE TABLE	1/13/21	JED



----- DASHED LINE INDICATES FIELD WIRING.

USE COPPER CONDUCTORS ONLY.

TEMPERATURE RATING OF CONDUCTORS IS TO BE:
 60°C (140°F) FOR UNDER 100A.
 75°C (167°F) FOR OVER 100A.

BRANCH CIRCUIT PROTECTION SHALL BE PROVIDED BY THE INSTALLER. MUST BE SIZED ACCORDING TO PUMP/MOTOR MANUFACTURING SPECIFICATIONS.

VERIFY CORRECT OPERATION OF CONTROL PANEL AFTER INSTALLATION IS COMPLETE.

FIELD WIRING TORQUE SPECS.	
TB1	10 IN-LB
TERMINAL BLOCK UT 2,5	5 IN-LB
TERMINAL BLOCK UT 4	7 IN-LB
TERMINAL BLOCK UT 6	15 IN-LB
TERMINAL BLOCK UT 10	15 IN-LB
TERMINAL BLOCK UT 16	25 IN-LB
TERMINAL BLOCK UT 35	30 IN-LB
TS1, TS2, J1, J2 & J3 PCB	5 IN-LB
TRANSFORMER H1F, H2F & H3F	15 IN-LB
TRANSFORMER H1, H2 & H3	10 IN-LB
DS1 VLS3P63-125 R2	45 IN-LB
DS1 LK4JU3CN 100A	36 IN-LB
DS1 LK4MU3N 200A	200 IN-LB

DRAWN BY: MM DATE: 6/30/14

APPROVED BY: MM DATE: 6/30/14

THIS DRAWING CONTAINS PROPRIETARY INFORMATION AND SHALL NOT BE USED OR DISCLOSED WITHOUT PRIOR WRITTEN AUTHORIZATION.



TITLE: OSSIM-30 CONTROL SCHEMATIC			
SIZE: B	DWG NO.: 1511	PART NO.: OSSIM-30	REV: H
SCALE: NONE		SHEET: 1 OF 1	